

TP STRONG ECO TW

LED dustproof lighting fitting



[V] 220-240 AC	[Hz] 50	≥25000	[h] 50000	ellipse ≤6x MacKlam	Ra 80	SMD
		IP 65		°C -20÷40		IK 08
	[mm²] 1.0÷2.5	0,5m	CE	EAC	UK CA	



TP STRONG ECO TW46NW **33164** 46 6000 4000 X130/Y110 grey

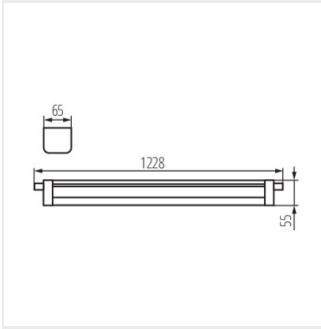
- 5 years Warranty under the terms of the warranty statement, available on our website
- Enclosure material: plastic
- Lampshade material: PC



TP STRONG ECO TW46NW

TP STRONG ECO TW

LED dustproof lighting fitting



TP STRONG ECO TW46NW